

SHARP

MX-M200D/MX-M160D

Digital Multifunction System



Versatile, compact multifunction systems for every small office

**Max 16/20
PPM**

**Full Colour
A3 Scanning**



Powerful, productive, affordable: what every workgroup needs

Double-sided printing and copying, colour scanning, and optional faxing and network printing: the new MX-M200D and MX-M160D A3 black and white multifunction systems pack it all into a surprisingly small package.

In fact, everything about these new machines was designed specifically for the small modern offices and workgroups where space - and budgets - have to work that little bit harder.

Everything for the office, all in one place

Depending on the model you can print 20 or 16 pages per minute and, thanks to Sharp Printer Language with Compression (SPLC), print speeds are kept to a maximum even on complex jobs.

Copying is just as fast and everyone in the team will appreciate advanced features such as the convenient image editing functions and the handy E-Sort feature, for creating multiple sets of sorted documents without the need for a bulky page collator. A reversing single pass feeder can be specified for easier double-sided scanning and copying.

A3 colour scanning capability is included as standard and, if you choose the network scanning option, you can scan documents to your PC, FTP server, or directly to an email address. Add the optional fax kit and you have a truly versatile, yet compact and affordable, all-round office multifunction system that's ideal for your everyday document needs.

Contemporary thinking for the modern office

At Sharp, we believe that modern technology should be easy on the eye. So we've given these remarkable new machines elegant curves and an attractive exterior that will complement even the most contemporary office environment.

And because we know that you care about the environment, our products are designed with this in mind, making sure that the MX-M200D and MX-M160D are fully compliant with the latest Energy Star Version 1.1 specifications.





A3 Mono MFP



Energy Star
V1.1 certified



MX-M200D/MX-M160D - Key Features

Productive Copying

- Quick copy speed of 20/16 cpm and fast 7.2 seconds first copy time
- Scan Once/Print Many function stores a scanned original into memory to quickly produce up to 999 copies of each page
- Electronic Sorting automatically collates multiple sets of copies in page order without the aid of a sorter
- Built-in efficient, reliable stackless duplex module
- Optional 40-sheet Single Pass Feeder (SPF) and Reversing SPF (RSPF)
- Standard 600-sheet paper capacity (MX-M200D) and 350-sheet paper capacity (MX-M160D), expandable to 1,100 sheets
- Versatile editing functions include rotation copy, Card Shot, N-in-1 copy

Performance Printing

- Standard Sharp Printer Language with Compression (SPLC) speeds up the data transfer time and printing process
- RIP Once/Print Many function for efficient printing of maximum 20/16 ppm
- Duplex printing capability
- Optional PCL 6/5e and PostScript 3 emulation
- Standard USB connectivity (USB 2.0 port)
- Upgradeable to network printing; supports most popular network OS and protocols
- Printer Administration Utility and Printer Status Monitor (option)
- IP/MAC address filtering prevents unauthorised access (option)
- Convenient printing functions include N-up, fit-to-page, watermarks, PDF/TIFF direct printing (option)
- Job Offset stacks each print job slightly shifted apart
- Job Separator to separate print jobs from copy/fax jobs (option)

Powerful Colour Scanning

- Full-colour A3 scanning at 600 x 600 dpi resolution
- Sharpdesk™ for total desktop document management and Button Manager for sending scanned images directly to PC applications
- Upgradeable for network colour scanning to scan to e-mail/desktop/FTP server
- LDAP (lightweight directory access protocol) compatibility allows easy browsing of e-mail addresses (option)

Speedy Faxing (option)

- Super G3 (33.6 Kbps modem) and JBIG compression for fast transmission
- Quick on-line transmission drastically shortens waiting time
- Duplex fax transmission and reception
- Rapid dials and group dials (50 total), 300 speed dials

User- and Environmentally-Friendly Design

- Environmentally conscious with energy-efficient design
- Certified for Energy Star
- Duplex capability saves resources
- Easy for everyone to use with universal design concept and 5-line LCD operation panel
- Digital Auto Exposure Control and Text/Photo mode ensure superb image quality



for every small office





**Network
printing option**



**Standard
duplex printing**

High-performance **printing**

With fast outputs of 20ppm and 16ppm respectively, the MX-M200D and MX-M160D provide outstanding printing performance. Accelerating the production of multiple prints, the RIP Once/Print many function minimises human intervention and eliminates additional processing. Equipped with features for network printing options, and secure network access (IP/MAC address filtering), the MX-M200D and MX-M160D deliver speed and versatility.

Secure Network Printing

The optional MX-NB10 Network Printing/Scanning Expansion Kit provides highly secure operation by restricting access to the MX-M200D and MX-M160D on your office network. Only PCs that have either their IP address or MAC (media access control) address registered are allowed access, preventing unauthorised use.

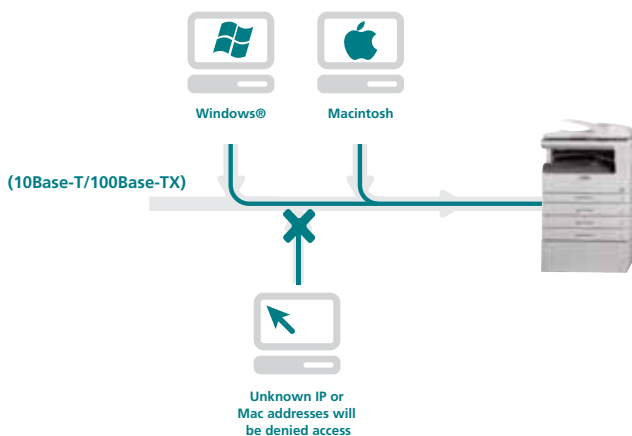
At a glance

- **Standard SPLC** (Sharp Printer Language with Compression) for speedy data transfer and printing.
- **Standard duplex printing** capability.
- **Job Offset** stacks each print job slightly shifted apart for easy retrieval and **Job Separator**^{*1} prevents print jobs from getting mixed with copy/fax jobs.
- **Powerful network printing**^{*2} supports the most commonly used network operating systems and protocols.
- **PDF/TIFF direct print**^{*2} – saves valuable time by printing PDF and TIFF files without using the printer driver, enabling direct printing from either a Web page or an e-mail attachment.
- **PCL5e and PCL6** printer language emulation^{*2}.
- **PostScript 3** is available^{*3} for compatibility with more fonts and better graphics handling.
- **Printer Administration Utility** for easy network management and **Printer Status Monitor** for remote printer status monitoring^{*2}.
- **Convenient printing functions** – N-up, fit-to-page, watermarks, and more.

^{*1} Optional MX-TR10 required.

^{*2} Optional MX-NB10 required. PDF direct printing also requires MX-PK10.

^{*3} Optional MX-PK10 required.





Increased paper capacity



Productive copying

Bringing you superb efficiency, the MX-M200D and MX-M160D produce a fast 20cpm or 16cpm copy speed and quick first copy time of 7.2 seconds. The performance of built-in duplexing not only minimises paper usage, but boosts productivity even further when used with the optional RSPF (reversing single pass feeder). Combined with an exciting range of image editing functions, the MX-M200D and MX-M160D supply a whole new level of convenience.

Duplex Copying

With their built-in duplex module, the MX-M200D and MX-M160D can automatically produce two-sided copies. Duplexing is even more productive when used together with the optional RSPF for one- or two-sided originals or with the optional SPF for one-sided originals.

Card Shot Copy/Scan

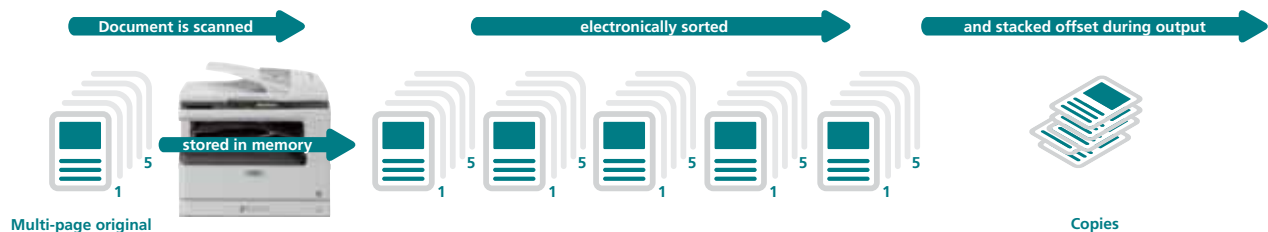
This function enables one-touch scanning and copying of both sides of a card (credit cards, ID cards, etc.) onto a single page.

Note: From platen glass only

At a glance

- **Scan Once/Print Many** function and **electronic sorting** for highly productive copying.
- **Up to 999 copies** can be made from memory.
- **Optional RSPF or SPF** makes scan jobs quick and easy.
- **Increased paper capacity** holds 350 sheets standard (MX-M160D), 600 sheets standard (MX-M200D), expandable to 1,100 sheets on both models.
- **Auto tray switching** reduces interruptions by automatically switching to a different tray when the first becomes empty.
- **Digital auto exposure control, Text mode, and Photo mode** ensure optimum copy quality.
- **Convenient image editing functions** – multi-shot (4-in-1, 2-in-1), rotation copy, dual page copy, and more.
- **Automatic paper/magnification selection.**

Scan Once/Print Many and Electronic Sorting



for every small office



Scan to **Email**,
Desktop or
FTP

**Optional Job
Separator**



Powerful **colour scanning** and efficient **faxing**

As a powerful, full-colour scanner, the MX-M200D and MX-M160D can convert any type of paper-based document, up to A3 in size, into an editable digital file as easily as making a copy. The optional 40-sheet RSPF makes it possible to scan even double-sided documents instantly. With available upgrades for network scanning, your entire office can share fully editable files that can be used in common office applications, printed, or distributed by e-mail.

Sharpdesk™ — Document Management on Your PC

Sharpdesk™ is an original Sharp application that provides integrated desktop management of documents in over 200 file formats, including scanned paper-based documents and those created with popular applications such as Microsoft Word. It allows you to organise, edit, search, and distribute your documents, all with simple drag-and-drop operation.

You can extend the functionality of the new MFPs even further with the optional MX-FX10 Fax Expansion Kit. Combining 33,600 bps Super G3 speed with the ease of on-line transmission, the MX-FX10 boosts the efficiency of your MX-M200D or MX-M160D, sending documents in much less time than with conventional memory transmission.

At a glance

Scanning

- **Full-colour A3 scanning** in 600 x 600 dpi.
- Compatible with **TWAIN-compliant** applications (pull scan).
- **Useful utility software**
 - Sharpdesk™ document management software.
 - Button Manager sends scanned images directly to PC applications (push scan).
- **Network scan***1 to e-mail, desktop, or FTP server.
- **Lightweight Directory Access Protocol***1 (LDAP) allows easy browsing of e-mail addresses for rapid distribution of scanned documents.

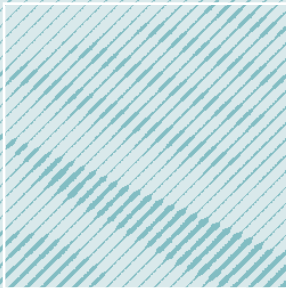
Faxing

- **Extremely versatile** – send or receive single or double-sided*2 faxes up to A3 size.
- **Saves time** – Super G3/JBIG compression for extra speed.
 - On-line transmission reduces total operation time.
 - 40-sheet RSPF enhances the efficiency of your fax jobs.
- **Auto dialling** – register up to 50 frequently used numbers for one-touch dialling and 300 numbers for two-digit dialling.
- **Dependable** – flash memory prevents data loss in a power failure.
- **Job Separator** (option) prevents incoming faxes from getting mixed with copy/print jobs*3.
- **PC-Fax transmission** – directly sends a document created on your PC to a recipient's fax machine without printing to paper.

*1 Optional MX-NB10 required.

*2 Optional RSPF required to send two-sided documents.

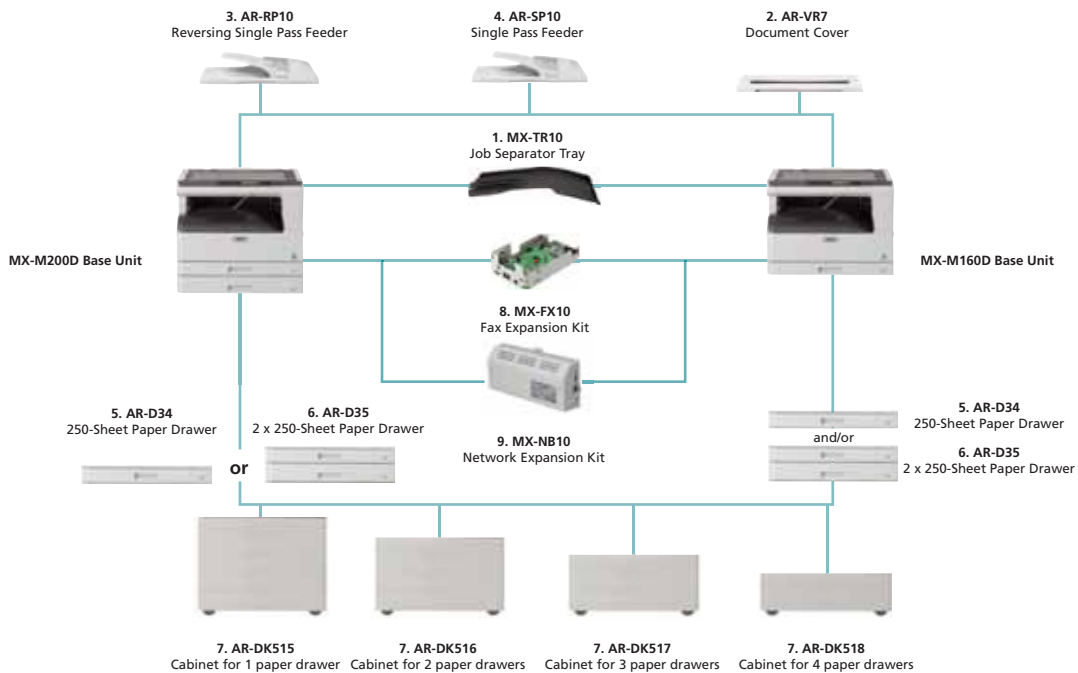
*3 Output destinations can be designated, sending fax or printer output to the Job Separator tray and copier or printer output to the bottom tray.



Options



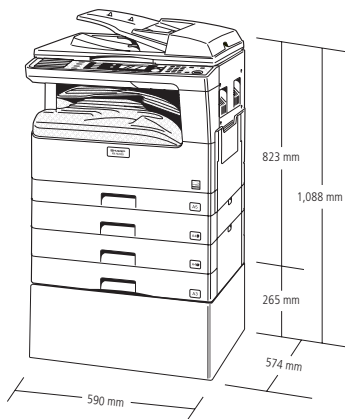
MX-M200D/MX-M160D - Options



Finishing

1. MX-TR10 Job Separator Tray Kit

Separates output according to the type of job (print/copy/fax)
A3 to A6
Upper tray : 100 sheets
Lower tray (MFP): 150 sheets



Some options may not be available in some areas.

Base Unit

2. AR-VR7 Document Cover

3. AR-RP10 Reversing Single Pass Feeder
A3 to A5, 40 sheets, 56 to 90 g/m²

4. AR-SP10 Single Pass Feeder
A3 to A5, 40 sheets, 56 to 90 g/m²

5. AR-D34 250-Sheet Paper Drawer
A3 to B5R, 250 sheets, 56 to 90 g/m²

6. AR-D35 2 x 250-Sheet Paper Drawer
A3 to B5R, 500 sheets, 56 to 90 g/m²

7. Cabinet

There are four cabinets available, depending upon the paper drawer configuration used

AR-DK515 Cabinet for 1 paper drawer

AR-DK516 Cabinet for 2 paper drawers

AR-DK517 Cabinet for 3 paper drawers

AR-DK518 Cabinet for 4 paper drawers

Connectivity Board

Faxing

8. MX-FX10 Fax Expansion Kit
Super G3 fax module
AR-MM9 8MB Fax Memory

Printing/Scanning

9. MX-NB10 Network Printing/Scanning Expansion Kit
Interface board for network printing/scanning
AR-SM5 256MB Memory

Additional Sharpdesk™ licenses:

MX-USX1 x 1 User

MX-USX5 x 5 Users

MX-US10 x 10 Users

MX-US50 x 50 Users

MX-USA0 x 100 Users

MX-PK10 PS3 Expansion Kit*

Enables PostScript printing

AR-PF1 Barcode Font Kit*

Barcode and OCR font kit

AR-PF2 Flash ROM Kit*

For additional fonts

*Optional MX-NB10 is required

for every small office



Specifications

MX-M200D/MX-M160D Digital Multifunctional System

General		
Engine speed (max.)	A4	A3
MX-M160D	16 ppm/cpm	9 ppm/cpm
MX-M200D	20 ppm/cpm	11 ppm/cpm
Paper size	Max. A3, min. A6	
Paper capacity		
MX-M160D	Standard: 350 sheets (250-sheet drawer and 100-sheet multi-bypass tray) Maximum: 1,100 sheets (4 x 250-sheet drawers and 100-sheet multi-bypass tray)	
MX-M200D	Standard: 600 sheets (2 x 250-sheet drawer and 100-sheet multi-bypass tray) Maximum: 1,100 sheets (4 x 250-sheet drawers and 100-sheet multi-bypass tray)	
Paper weight	Drawer: 56 g/m ² - 90 g/m ² Bypass tray: 56 g/m ² - 200 g/m ²	
Warm-up time	Less than 45 seconds	
Memory	Standard: 48MB (shared) Optional: 256MB (AR-SMS)	
Power requirements	Rated local AC voltage ±10%, 50/60 Hz	
Power consumption (max.)	1.2 kW (220 to 240V)	
Dimensions (W x D x H)		
MX-M160D	590 x 574 x 437	
MX-M200D	590 x 574 x 522	
Weight		
MX-M160D	28.1 kg	
MX-M200D	33.0 kg	
Copier		
Original paper size	Max. A3	
First copy time¹	7.2 sec.	
Continuous copy	Max. 999 copies	
Resolution	600 x 600 dpi	
Gradation	Equivalent to 256 levels	
Zoom range	25 to 400% (50 to 200% using SPF/RSPF) in 1% increments	
Preset copy ratios	10 ratios (5R/5E)	
Printer		
Resolution	600 x 600 dpi	
Interface	USB 2.0	
Supported OS	Windows® 2000/XP, Windows Vista®	
PDL emulation	SPLC (Sharp Printer Language with Compression)	

Network Printer (optional MX-NB10 required)	
Resolution	600 dpi, 300 dpi ²
Memory	64MB, expandable to 320MB
Interface	10Base-T/100Base-TX
Supported OS³	Standard: Windows 2000/XP, Windows Server 2003/2008, Windows Vista Optional: Mac OS 9.0-9.2.2, Mac OS X 10.2.8, 10.3.9, 10.4.11, 10.5 - 10.5.6
Network protocols	TCP/IP, IPX/SPX (Netware), NetBEUI, EtherTalk (AppleTalk)
PDL emulation	Standard: PCL 6/5e Option ³ : PS3 emulation
Available fonts	80 fonts for PCL, 136 fonts for PS3 emulation ³
Bundled Utility Software	Sharp Printer Administration Utility, Sharp Status Monitor

Colour Scanner	
Scan method	Push scan (via operation panel) Pull scan (with TWAIN-compliant application)
Resolution⁴	Push scan: 75, 100, 150, 200, 300, 400, 600 dpi Pull scan: 75, 100, 150, 200, 300, 400, 600 dpi 50 to 9,600 dpi ⁵ via user setting
Protocols	TWAIN, WIA (Windows XP only), STI
Interface	USB 2.0
Scanner utilities	Button Manager, Sharpdesk™

Network Scanner (optional MX-NB10 required)	
Scan method	Push scan (via operation panel)
Resolution⁴	75, 100, 150, 200, 300, 400, 600 dpi
File formats	JPEG, PDF, TIFF
Scanner utilities	Sharpdesk™
Supported OS	Windows 2000/XP, Windows Server 2003/2008, Windows Vista
Scan destinations	Scan to e-mail, desktop, FTP server

Fax (optional MX-FX10 required)	
Compression method	MH/MR/MMR/JBIG
Communication protocol	Super G3/G3
Transmission time	Less than 3 seconds ⁶
Modem speed	33,600 bps to 2,400 bps with automatic fallback
Transmission resolution	Standard: 203.2 x 97.8 dpi Super Fine: 406.4 x 391 dpi
Recording width	A3 to A5
Memory	2MB flash memory, max. 10MB with option AR-MM9
Grey scale levels	Equivalent to 256 levels



¹: When feeding A4 sheets from 1st paper tray. ²: 300 dpi can be selected only when using the PCL6 or PCL5e printer driver. ³: MX-PK10 required for PS3, Mac OS and EtherTalk. ⁴: Scan resolution varies according to the amount of memory installed. ⁵: Resolutions higher than 600 dpi are interpolated. ⁶: Based on Sharp's standard chart with approx. 700 characters (A4 long-edged feeding at standard resolution in Super G3 mode, 33,600 bps, JBIG compression).



Design and specifications are subject to change without prior notice. All information was correct at time of print. The ENERGY STAR logo is a certification mark and may only be used to certify specific products that have been determined to meet the ENERGY STAR programme requirements. ENERGY STAR is a US registered mark. Windows, Windows NT, Windows XP and Windows Vista are registered trademarks of Microsoft Corporation. Citrix is a trademark of Citrix Systems, Inc. and/or one or more of its subsidiaries, and may be registered in the United States Patent and Trademark Office and in other countries. All other company names, product names and logotypes are trademarks or registered trademarks of their respective owners. ©Sharp Corporation July 2009. Ref: MX-M200D/MX-M160D. All trademarks acknowledged. E&OE.