

SHARP

MX-5141N / MX-5140N

MX-4141N / MX-4140N

Digital Full Colour Multifunctional System



A3 COLOUR MFP WITH
CLOUD CONNECTIVITY

Connected teams are stronger teams **/This is Why** you
need our Cloud-ready MFPs.

Nothing stays the same for ever /This is Why we're prepared for the future.

As technology advances, it makes sense to choose an MFP that can meet your needs of today, while keeping the future in mind. In other words, an MFP like the MX-5141N, MX-5140N, MX-4141N or MX-4140N.

Like most multifunction systems, they have a choice of extra-value features which you can specify now or install later as upgrades.

But what really makes them stand out is an entire suite of advanced connectivity and information-sharing features. Plus, you can connect them wirelessly wherever you want for ultimate flexibility.

HIGH PRODUCTIVITY WITH ADVANCED FUNCTIONALITY



SIMPLE CONNECTION DIRECT TO THE CLOUD

Cloud-ready

There is a growing trend – particularly among mobile workers - to use cloud computing for storing files and running applications. Now we've built that indispensable technology into our latest workgroup MFPs.

Simply walk up to the MFP, log on at the control panel, and touch the Cloud Portal button. Everything that you've got in the Cloud – your documents and files – are right there, available from the comfortably large colour LCD control panel.

You get optional internet access, too, so you can search the web for any information you need, download documents or print them out for later.

Making the right connection

Plus, we're already working on further connectivity breakthrough with AirPrint* technology which broadcasts a signal to iPhone, iPad, and Mac environments, so the user knows that an MFP is available.

Sharp Mobile Print and Scan App

This free App makes it easy for anyone with a smartphone or tablet to connect to the MFP over your Wi-Fi network. They can preview and print PDFs, JPGs, TIF files and email attachments, and scan from the MFP to mobile devices just as easily.



*Enquire for availability

Every business is different /This is Why we give you more options.



All four models deliver enhanced 1200 x 1200 A3 output and feature Adobe PostScript 3 as standard.

Start by choosing a model that's fast enough for your regular workload. For some, the ability to print in colour as well as black & white at speeds of 41 pages per minute (ppm) is more than ample.

Busier workgroups, and people who sometimes have to deal with urgent deadlines, will appreciate the 51 ppm version.

You also get a choice of document feeders (one of which can handle up to 170 two-sided originals per minute) and the ability to create High Compression PDFs (standard for the MX-5141N and MX-4141N) – perfect if you'll be scanning or copying a lot of documents.

Customise your MFP

The paper capacity can be expanded from 1,100 sheets right the way up to 6,600 sheets for longer uninterrupted printing. You can also print on long paper to create banners.

Whatever you decide, you'll find that even the most complex configuration is remarkably easy to use.

The multi-touch finger-swipe LCD control panel gives you fingertip control of every function and feature, including document filing. Plus, you can preview and manipulate multi-page documents on screen, and use flick, slide, tap, pinch and spread gestures to get exactly the results you want.

The control panel tilts into five positions for comfortable viewing and there is a retractable QWERTY keyboard for easy data entry (standard for the MX-5141N and MX-4141N).

Some things can't be left to chance /This is Why we take care of them for you.

Sharp OSA-enabled MFPs can give you even more than the powerful print, copy, scan, fax and email functions that you've come to expect from Sharp.

Thanks to our technology partners, our latest MFPs can be a gateway to your network, giving you and your team the information that's needed for timely, effective decision making. What's more, they can automate time-consuming manual tasks such as document scanning, indexing and filing.

Supporting your environmental objectives

These Energy Star-certified MFPs will prompt you to consider using eco-friendly printing features whenever appropriate. They also have a self-adjusting automatic shutdown capability, which complements their pre-set power off schedules, and a special Eco Scan mode for even greater energy savings.

Keeping you safe and secure

Sharp MFPs come with many robust security features, such as the encryption and secure erasure of data on the hard disk (automatically as well as on-demand) and password-controlled access for routine user authentication.

In addition, they can protect sensitive data by scanning documents into encrypted PDFs and prevent unauthorised copying, scanning, faxing and filing with our Document Control* Function. Data Initialisation lets you completely erase data from the MFP when it's time to replace it.

What's more, the MFP's 320 GB internal hard drive can be accessed from across the network, making it ideal for storing any documents that you want to share.



MULTI-LEVEL SECURITY



*Requires MX-FR42U Data Security Kit

We know how busy you are /This is Why our MFPs are easy to manage.

You can configure every important setting of these powerful MFPs through a single dedicated web page. But that's just one of many ease-of-use features.

A **Printer Status Monitor** on your PC lets you check that there's enough toner and paper before you start a job. A glance at the **Job Status Screen** will reveal every copy and print job and its position in the queue. And an alert will pop up as soon as your documents are printed.

A **Remote Diagnosis** feature monitors the MFPs through a web browser, and sends timely email messages when maintenance is required.

Sharp Remote Device Manager provides real-time control of your Sharp MFPs - again, through a browser - making technical support, driver installation and firmware upgrades easier than ever.

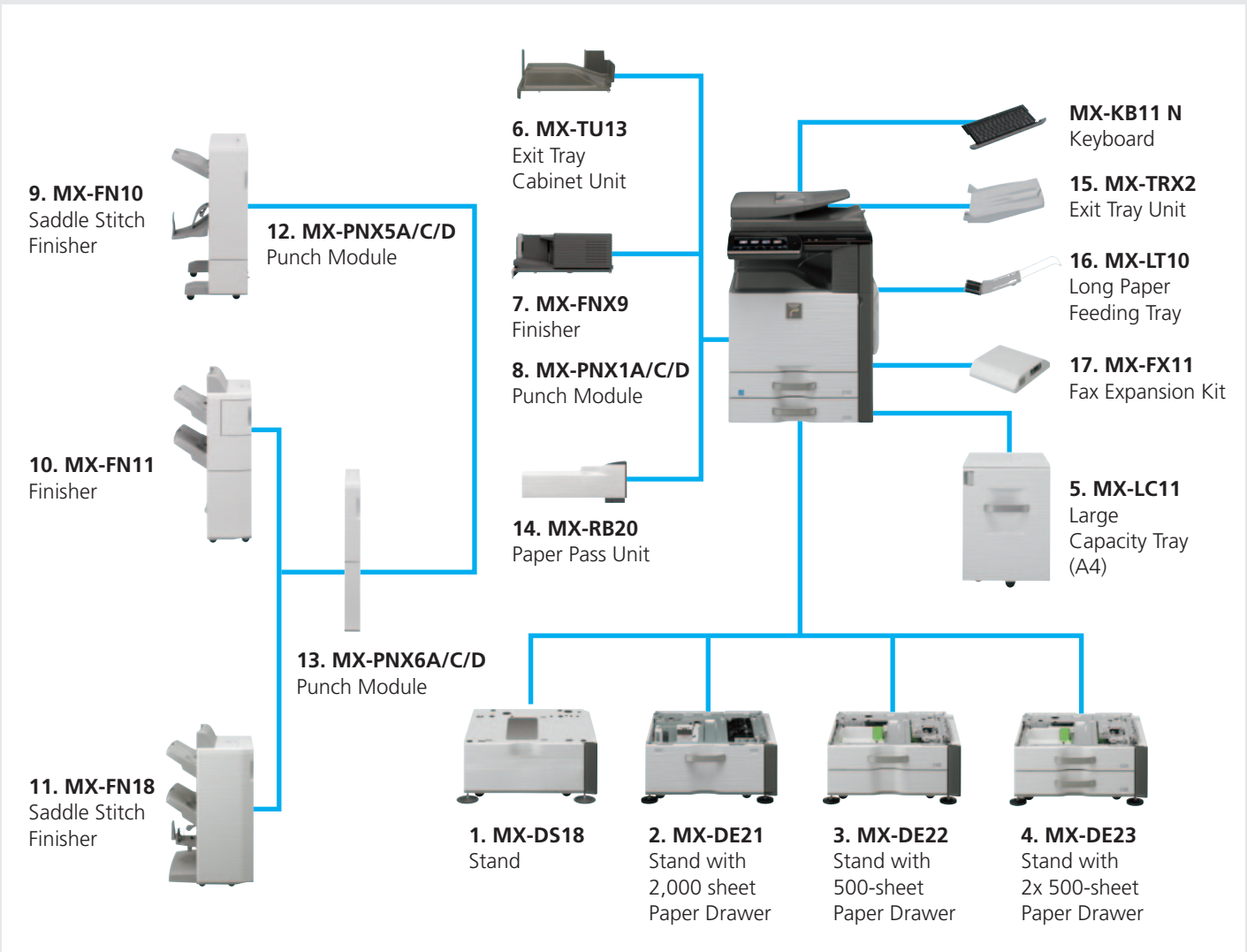
Your support staff can even remotely view* and operate the front panel display, taking control, changing settings, fixing problems and providing ad hoc training, without ever leaving their desks, thanks to our innovative **Remote Access Control Panel**.

REMOTE ACCESS CONTROL PANEL



*Requires VNC application

Configuration Examples



Base Unit
Finisher (MX-FNX9)
Stand with
2 x 500 Sheet Paper Drawers
Exit Tray



Base Unit
1K Saddle Stitch Finisher (MX-FN10)
Punch Module (MX-PNX5A/C/D)
Paper Pass Unit
Stand with 2 x 500-Sheet Paper Drawers
Exit Tray
Large Capacity Tray



Base Unit
4K Saddle Stitch Finisher (MX-FN18)
Punch Module (MX-PNX6A/C/D)
Paper Pass Unit
Stand with 2000-Sheet Paper Drawers
Exit Tray
Large Capacity Tray

Base Unit

MX-KB11 N Keyboard - standard for MX-5141N/MX-4141N

1. MX-DS18 Stand - For MFP height adjustment

2. MX-DE21 Stand with 2000-Sheet Paper Drawers

Left tray: B5 – A4, 1150 sheets (80 g/m²)

Right tray: A4, 1 x 850 sheets (80 g/m²)

3. MX-DE22 Stand with 500-Sheet Paper Drawer

A3 to A5R, 500 sheets each (80 g/m²)

4. MX-DE23 Stand with 2 x 500-Sheet Paper Drawers

A3 to A5R, 500 sheets each (80 g/m²)

5. MX-LC11 Large Capacity Tray

A4 to B5, 3,500 sheets (80g/m²)

Finishing

6. MX-TU13 Exit Tray Cabinet Unit

7. MX-FNX9 Finisher

A3W to A5R (non offset), A3 to B5 (offset/staple)

Offset tray (upper): max. 500-sheet paper capacity*¹

Stapling capacity: max. 50-sheet multi-position staple*¹

Staple position: 3 locations (front, rear or 2 point stitching)

8. Optional Punch Module for MX-FNX9:

MX-PNX1A/C/D - 2/4/4 Hole Wide Punch Module

9. MX-FN10 Saddle Stitch Finisher (1,000-Sheet)

10. MX-FN11 Finisher (4,000 sheet)

A3 to B5 (offset/staple), A3W to A5R (non offset)

Upper Tray: max. 1,550-sheet paper capacity*¹

Lower Tray: max. 2,450-sheet paper capacity*¹

Stapling capacity: max. 50-sheet multi-position staple*¹

Staple position: 3 locations (front, rear or 2 point stitching)*¹

11. MX-FN18 Saddle Stitch Finisher (4,000-Sheet)

A3 to B5 (offset/staple), A3W to A5R (non offset)

Offset tray (upper): max. 1,000/4,000-sheet paper capacity*¹

Stapling capacity: max. 50-sheet multi-position staple*¹

Staple position: 3 locations (front, rear or 2 point stitching)*¹

Saddle stitch tray (lower): 10 sets (11-15 sheets), 15 sets (6-10 sheets), 20 sets (1-5 sheets). 15 sheets max per set.

12. Punch Module for MX-FN10

MX-PNX5A/C/D - 2/4/4 Hole Wide Punch Module

13. Punch Module for MX-FN11 and MX-FN18

MX-PNX6A/C/D - 2/4/4 Hole Wide Punch Module

14. MX-RB20 Paper Pass Unit

Required when using MX-FN10, MX-FN11 or MX-FN18

15. MX-TRX2 Exit Tray Unit

16. MX-LT10 Long Paper Feeding Tray

Faxing

17. MX-FX11 Fax Expansion Kit

Super G3 fax module

MX-FWX1 Internet Fax Expansion Kit

Printing

MX-PUX1 XPS Expansion Kit

MX-PF10 Barcode Font Kit

Scanning

AR-SU1 Stamp Unit

Marks already scanned documents for checking

MX-EB11 Enhanced Compression Kit

Enables creation of high compression PDFs

Standard for MX-5141N/MX-4141N

Sharpdesk™ Licenses

MX-USX1/X5/10/50/A0

1/5/10/50/100-License Kit

Sharp OSA®

MX-AMX1 Application Integration Module

Security

MX-FR42U Data Security Kit*²

Commercial version

(Common Criteria validated version will also be available at a later date)

MX-EB12 N Mirroring Kit

Second hard drive enabling data backup of files stored on HDD

*¹ A4 or smaller, 80g/m². Some options may not be available in some areas. *² Available at a later date.

Specifications

General

Engine speed (ppm/cpm) (Max)		
Colour & B/W	A4	A3
MX-5141N/MX-5140N	51	23
MX-4141N/MX-4140N	41	19
Paper size (Min – Max)		
Drawer	A5R – A3	
Multi-bypass	A5R – A3W	
Paper weight (g/m ²)		
Drawer	60 – 220*1	
Multi-bypass	55 – 300	
Paper capacity (Std – Max)		
Sheets	1,100 – 6,600	
Drawers	2 – 5 (plus bypass tray)	

Warm-up time *2 (seconds)	
MX-5141N/MX-5140N	30
MX-4141N/MX-4140N	28
Memory Std (GB)	
Copier/Printer (shared)	4
HDD*3	320
Power requirements	Rated local AC voltage ±10%, 50/60 Hz
Power consumption (kW) (Max)	1.84 (220 - 240V)
Dimensions (mm) (W x D x H)	
MX-5141N/MX-4141N	648 x 764 x 960
MX-5140N/MX-4140N	648 x 764 x 954
Weight (kg)	
MX-5141N/MX-4141N	126
MX-5140N/MX-4140N	119

Copier

Original paper size (Max)	A3	
First copy time *4 (seconds)	Full Colour	B/W
MX-5141N/ MX-5140N	5.7	4.1
MX-4141N /MX-4140N	6.7	4.7
Continuous copies (Max)	999	
Resolution (dpi)		
Scan (colour)	600 x 600	
Scan (b/w)	600 x 600, 600 x 400	
Print	600 x 600, 9600 (equivalent) x 600*5 (depending on print mode)	
Gradation levels	256	
Zoom range (%)	25 – 400 (25 – 200 using RSPF/DSPF) in 1% increments	
Preset copy ratios	10 (5R/5E)	

Network Printer

Resolution (dpi)	1200 x 1200, 600 x 600, 9600 equivalent*5 x 600
Interface	USB 2.0 10Base-T/100Base-TX/1000Base-T
Supported OS	Std Windows® XP, Windows Server® 2003/2008/2008R2/2012, Windows Vista®, Windows® 7, Windows® 8 Mac OS X 10.4, 10.5, 10.6, 10.7, 10.8
Network protocols	TCP/IP (IPv4, IPv6), IPX/SPX (NetWare), EtherTalk (AppleTalk)
Printing protocols	LPR, Raw TCP (port 9100), POP3 (e-mail printing), HTTP, Novell Printserver application with NDS and Bindery, FTP for downloading print files, EtherTalk printing, IPP
PDL emulation	Std PCL6 emulation, Adobe® PostScript® 3™ Opt*6 XPS
Available fonts	PCL 80 PS3 136
Printer utilities	Sharpdesk Mobile

Wireless LAN

Compliant regulation	IEEE802.11n/g/b
Access mode	Infrastructure mode, Software AP mode
Security	WEP, WPA Personal, WPA Enterprise*7, WPA2 Personal, WPA2 Enterprise*7

Notes

*1 60 - 105gsm for MX-DE21. *2 At rated voltage. May vary depending on machine conditions and operating environment. *3 1 GB = One billion bytes when referring to hard drive capacity. Actual formatted capacity is less. *4 Best achieved time based on A4 copy, long-edge feeding from 1st paper drawer, using document glass, when machine is ready, without Auto Colour Mode and Auto Colour Selection. May vary depending on machine conditions and operating environment. *5 Resolutions higher than 600 dpi are interpolated. *6 XPS requires optional MX-PLX1. To view XPS files on PCs not running Windows Vista, you must have the XPS View application installed. *7 Not applicable to Software AP mode. *8 Colour only. *9 Optional MX-EB11 required for MX-5140N/4140N. *10 The storage capacity will vary depending on the type of document and scan settings. *11 Optional MX-FX11 required. *12 Based on Sharp's standard chart with approx. 700 characters (A4 portrait) at standard resolution in Super G3 mode, 33,600 bps, JBIG compression.

Design and specifications are subject to change without prior notice. All information was correct at time of print. The ENERGY STAR logo is a certification mark and may only be used to certify specific products that have been determined to meet the ENERGY STAR programme requirements. ENERGY STAR is a US registered mark. The ENERGY STAR guidelines apply to products only in the US, Europe, Australia, New Zealand and Japan. Windows, Windows NT, Windows XP and Windows Vista are registered trademarks of Microsoft Corporation. All other company names, product names and logos are trademarks or registered trademarks of their respective owners. ©Sharp Corporation June 2013 Ref: MX-5141N/4141N/ MX-5140N/4140N. All trademarks acknowledged. E&OE. UK V1 Aug 2013

Colour Network Scanner

Scan method	Push scan (via operation panel) Pull scan (TWAIN-compliant application)
Resolution (dpi)	
Push scan	100, 150, 200, 300, 400, 600
Pull scan	75, 100, 150, 200, 300, 400, 600 dpi, 50 – 9600 dpi via user setting*5
File formats	XPS, TIFF, PDF, Encrypted PDF, PDF/A, Compact PDF**9, JPEG (colour only)
Scan destinations	Scan to e-mail, desktop, FTP server, network folder (SMB), USB memory
Scanner utilities	Sharpdesk, Sharpdesk Mobile

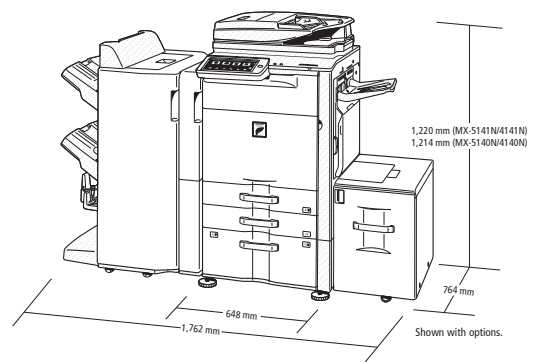
Document Filing

Document filing capacity (pages / or files)	
Main and custom folders	20,000*10 or 3,000
Quick file folder	10,000*10 or 1,000
Stored jobs	Copy, print, scan, fax transmission*11
Storage folders	Quick file folder, main folder, custom folder (max. 1,000 folders)
Confidential storage	Password protection (for main and custom folders)

Fax (requires optional MX-FX11)

Compression method	MH/MR/MMR/JBIG
Communication protocol	Super G3/G3
Transmission time *12 (seconds)	Less than 3
Modem speed (bps)	33,600 – 2,400 with automatic fallback
Transmission resolution (dpi)	
Std	203.2 x 97.8
Ultra Fine	406.4 x 391
Recording width	A5 - A3
Memory (GB)	1
Grey scale levels	256

External Dimensions



This is Why

www.sharp.co.uk

SHARP

SHARP ELECTRONICS (UK) LTD
4 FURZEGROUND WAY
STOCKLEY PARK
UXBRIDGE
MIDDLESEX UB11 1EZ
TEL: 0800 138 5051
ROI: (+353) (0) 20 8734 2000

