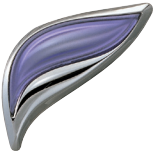


# SHARP

MX-M565N / MX-M465N / MX-M365N

Digital Multifunctional System



A3 BLACK & WHITE MFP WITH  
ENERGY SAVING CREDENTIALS

People want to be efficient /**This is Why** you should give  
your team one of these Cloud-ready MFPs.

## MFPs are used by everyone /This is Why we make MFPs that do more.

Introducing the MX-M565N, MX-M465N, and MX-M365N - three Cloud-ready MFPs with the price and performance to suit all offices from small workgroups right through to crowded, busy departments.

### Lower running costs. Lower environmental impact

We've pushed back the boundaries of toner science with a brand new lower-melt toner formulation for reduced energy consumption. This, and other green innovations, gives these MFPs one of the lowest Total Electricity Consumption (TEC) values in the industry.

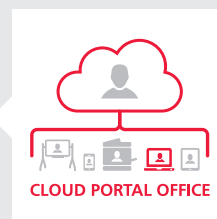
### Universal ease of use

Every major feature of these versatile MFPs can be controlled from an easy to understand 10.1" multi-touch colour LCD, with pinch and spread gesture control for easy zooming. What's more, a single touch will launch you into the Cloud for access to your stored data and applications.

Cloud Portal Office\*, our multi-platform file sharing/document management service, is powered by Sharp OSA which comes as standard. And all three models can be configured with a huge range of extra-value document feeding and finishing options, and a retractable keyboard for easy data entry.

To round it all off, there's a 320 GB internal hard drive which can be accessed across the network for easy file storage and retrieval, and there's a wide range of connectivity features and finishing options for every office environment.

## MFP WITH CLOUD-READY PERFORMANCE



\*Subscription required.



## Energy is expensive /This is Why we design MFPs that cost less to run.

The MX-M565N, MX-M465N, and MX-M365N have industry-leading green credentials. Biomass plastic, breakthrough toner technology, an energy-efficient fuser with short warm up times, intelligent power saving and low-energy LED lamps - it all adds up to our most environmentally-friendly design yet.

### Clever construction, kinder consumables

We've used biomass plastic, made from plant matter, in the construction of the MFPs. Plus, we've developed a new toner - Mycrotoner-CAP™ - which significantly reduces energy consumption on every page that you print, because it can be melted at lower, cost-efficient temperatures.

### Intelligent power saving

Most MFPs can switch themselves into 'sleep' mode after a set period of inactivity. But the MX-M565N, MX-M465N and MX-M365N do a whole lot more.

They can 'learn' your usage patterns and go to sleep when they predict a period of inactivity, and you can schedule set times for the MFP to turn itself on or off.

You can save even more money with the Auto Power Shut Off feature which sends the MFP to sleep when it has finished a job. At other times, you can simply use the manual power-save button.

### Eco Scan

If you're doing something that doesn't need the fuser - scanning documents, for example - the Eco Scan feature will help you save even more money by keeping the fuser switched off.

### Eco Recommendation

We recognise that busy people sometimes forget the need to conserve energy and natural resources. To help, our MFPs can prompt users with a message that gives useful advice about efficient printing. And there's even an Eco Mode button to configure the MFP with all of its most efficient settings.



SUPPORTING YOUR ENVIRONMENT



## We know that cost is a consideration /This is Why we give you more choice.

Whether you want fast, reliable printing and copying, rapid scan speeds, automated finishing or the high volume unattended printing capability, look no further.

We've included all the performance features that everyone needs and made everything else an option. Not only does that help to keep costs down but it means you can specify a configuration that meets your needs today and can also adapt to your needs in the future.

Start by choosing from 56, 46 or 36 pages per minute (high speed double-sided scanning is standard across the range) and then add the options that will benefit your team the most.

The Compact PDF option, for example, helps to reduce network traffic and optimise storage space with smaller scan file sizes.

Other popular choices include extra paper drawers, including high capacity tandem drawers, which can boost the paper supply right the way up to 6,600 sheets for hours of effortless printing and a long paper feeding tray.

If you want to add automatic finishing, we can offer you a staple finisher, a bi-folding saddle-stitch finisher for making booklets, and a space-saving inner finisher for simple sorting, stapling and off-set stacking. You can also add a hole puncher for creating ready-to-file documents.

The bottom line? You get everything that you need and nothing that you don't.

PERFORMANCE  
PACKED FEATURES  
AND OPTIONS



We know you want maximum value /This is Why these MFPs are Cloud-ready.



The MX-M565N, MX-M465N and MX-M365N come with outstanding connectivity and information-sharing capabilities which take office productivity to a whole new level. For one thing, you can connect them wirelessly wherever you want, for maximum convenience. But that's just the start of the possibilities.

#### Plug into the world

Each of these powerful MFPs are Cloud-ready. One touch on the LCD control panel is all it takes to get instant access to the Cloud and Cloud Portal Office\*<sup>1</sup>.

Standard Adobe® PostScript® 3™ allows users to print PDFs directly from USB, Web or Cloud without any additional options and allows seamless integration to Adobe applications.

There's an Internet access option, too, which means you can search the web for any information you need, download documents and get an instant hard copy, without going back to your desk.

#### Mobile Printing and Scanning

The free Sharpdesk Mobile App makes it easy for anyone with a smartphone or tablet to connect to the MFP over your Wi-Fi network. They can preview and print PDFs, JPEGs, TIFF, PNG files and email attachments, and scan from the MFP to mobile devices just as easily.

Plus, we've added yet another connectivity breakthrough for making life easier for mobile workers: AirPrint\*<sup>2</sup> technology broadcasts a signal to iPhone, iPad, and Mac environments, so the user knows that a nearby MFP is available.

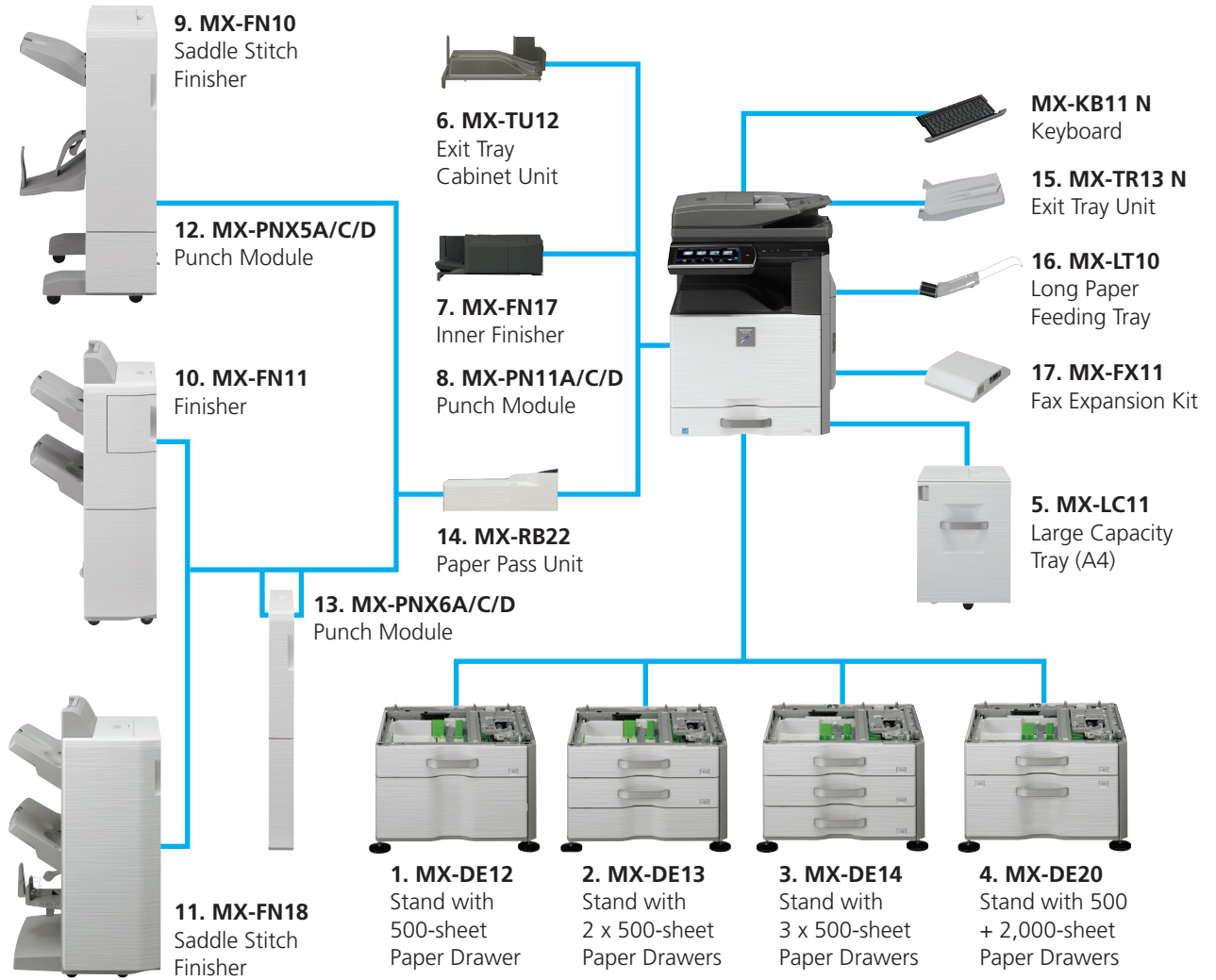
#### World class security

Every model features encryption and secure erasure of data on the hard disk (automatically as well as on-demand), robust user authentication, secure network cards, SSL and IPsec data encryption, port-based network control, and PIN-controlled pull printing for maximum security.

\*<sup>1</sup> Subscription required. \*<sup>2</sup> Available at a later date.



# Configuration Examples



Base Unit  
Finisher (MX-FN17)  
Stand with 3 x 500-sheet  
Paper Drawers  
Exit Tray Unit



Base Unit  
Paper Pass Unit  
1K Saddle Stitch Finisher (MX-FN10)  
Stand with 3 x 500-sheet Paper Drawers  
Exit Tray Unit  
Large Capacity Tray



Base Unit  
Paper Pass Unit  
4K Saddle Stitch Finisher (MX-FN18)  
Punch Module (MX-PNX6A/C/D)  
Stand with 500 + 2,000-sheet Paper Drawers  
Exit Tray Unit  
Large Capacity Tray

## Base Unit

### MX-KB11 N Keyboard

#### 1. MX-DE12 Stand with 500-sheet Paper Drawer

A3 to A5R, 500 sheets each (80 g/m<sup>2</sup>)

#### 2. MX-DE13 Stand with 2 x 500-sheet Paper Drawers

A3 to A5R, 500 sheets each (80 g/m<sup>2</sup>)

#### 3. MX-DE14 Stand with 3 x 500-sheet Paper Drawers

A3 to A5R, 500 sheets each (80 g/m<sup>2</sup>)

#### 4. MX-DE20 Stand with 500 + 2,000-sheet Paper Drawers

Top Drawer: A3 - A5R, 500 sheets (80 g/m<sup>2</sup>)

Bottom Drawer:

Left tray: A4, 1150 sheets (80 g/m<sup>2</sup>)

Right tray: A4, 1 x 850 sheets (80 g/m<sup>2</sup>)

#### 5. MX-LC11 Large Capacity Tray

A4, 3,500 sheets (80g/m<sup>2</sup>)

## Finishing

#### 6. MX-TU12 Exit Tray Cabinet Unit

#### 7. MX-FN17 Inner Finisher

A3W to A5R (non offset), A3 to B5 (offset/staple)

Offset tray (upper): max. 500-sheet paper capacity\*<sup>1</sup>

Stapling capacity: max. 50-sheet multi-position staple\*<sup>1</sup>

Staple position: 3 locations (front, rear or 2 point stitching)

#### 8. MX-PN11A/C/D Punch Module for MX-FN17:

2/4/4 Hole Wide Punch Module

#### 9. MX-FN10 Saddle Stitch Finisher (1,000-Sheet)

A3 to B5 (offset/staple), A3W to A5R (non offset)

Offset tray (upper): max.1,000-sheet paper capacity\*<sup>1</sup>

Stapling capacity: max. 50-sheet multi-position staple\*<sup>1</sup>

Staple position: 3 locations (front, rear or 2 point stitching)\*<sup>1</sup>

Saddle stitch tray (lower): 10 sets (11-15 sheets), 15 sets (6-10 sheets),

20 sets (1-5 sheets). 15 sheets max per set

#### 10. MX-FN11 Finisher (4,000-Sheet)

A3 to B5 (offset/staple), A3W to A5R (non offset)

Upper Tray: max. 1,550-sheet paper capacity\*<sup>1</sup>

Lower Tray: max. 2,450-sheet paper capacity\*<sup>1</sup>

Stapling capacity: max. 50-sheet multi-position staple\*<sup>1</sup>

Staple position: 3 locations (front, rear or 2 point stitching)\*<sup>1</sup>

#### 11. MX-FN18 Saddle Stitch Finisher (4,000-Sheet)

A3 to B5 (offset/staple), A3W to A5R (non offset)

Offset tray (upper): max. 1,000/4,000-sheet paper capacity\*<sup>1</sup>

Stapling capacity: max. 50-sheet multi-position staple\*<sup>1</sup>

Staple position: 3 locations (front, rear or 2 point stitching)\*<sup>1</sup>

Saddle stitch tray (lower): 10 sets (11-15 sheets), 15 sets (6-10 sheets),

20 sets (1-5 sheets). 15 sheets max per set.

#### 12. MX-PNX5A/C/D Punch Module (for MX-FN10)

2/4/4 Hole Wide Punch Module

#### 13. MX-PNX6A/C/D Punch Module (for MX-FN11 & MX-FN18)

2/4/4 Hole Wide Punch Module

#### 14. MX-RB22 Paper Pass Unit

Required when using MX-FN10, MX-FN11 or MX-FN18

#### 15. MX-TR13 N Exit Tray Unit

#### 16. MX-LT10 Long Paper Feeding Tray

## Faxing

#### 17. MX-FX11 Fax Expansion Kit

Super G3 fax module

#### MX-FWX1 Internet Fax Expansion Kit

## Printing

#### MX-PUX1 XPS Expansion Kit

Enables XPS printing

#### MX-PF10 Barcode Font Kit

Enables Barcode printing

## Scanning

#### AR-SU1 Stamp Unit

Marks already scanned documents for checking

#### MX-EB11 Enhanced Compression Kit

Enables creation of high compression PDFs

## Sharpdesk™ Licenses

#### MX-USX1/X5/10/50/A0

1/5/10/50/100-License Kit

## Sharp OSA®

#### MX-AMX1 Application Integration Module

## Security

#### MX-FR44U Data Security Kit\*<sup>2</sup>

Commercial version

(Common Criteria validated version will also be available at a later date)

#### MX-EB12 N Mirroring Kit

Second hard drive enabling data backup of files stored on HDD

\*<sup>1</sup> A4 or smaller, 80g/m<sup>2</sup>. \*<sup>2</sup> Available at a later date.

# Specifications

## General

<b>Engine speed</b> (ppm/cpm) (Max)	<b>A4</b>	<b>A3</b>
MX-M565N	56	26
MX-M465N	46	22
MX-M365N	36	17
<b>Paper size</b> (Min – Max)		
Drawer	A5R - A3	
Multi-bypass	A5R - A3W	
<b>Paper weight</b> *1 (g/m <sup>2</sup> )		
Drawer	60 – 220	
Multi-bypass	55 – 300	
<b>Paper capacity</b> (Std – Max)		
Sheets	600 – 6,600	
Drawers	1 – 4 (plus bypass tray)	

<b>Warm-up time</b> *2 (seconds)	12 or less
<b>Memory</b> (GB) (Std – Max)	
Copier/Printer (shared)	3 – 4
HDD*3	320
Option*4	1
<b>Power requirements</b>	Rated local AC voltage ±10%, 50/60 Hz
<b>Power consumption</b> (kW) (Max)	1.84 (220 - 240V)
<b>Dimensions</b> (mm) (W x D x H)	618 x 713 x 843
<b>Weight</b> (kg)	
MX-M565N/M465N	78
MX-M365N	77

## Copier

<b>Original paper size</b> (Max)	A3
<b>First copy time</b> *5 (seconds)	
MX-M565N	3.7
MX-M465N	3.9
MX-M365N	4.5
<b>Continuous copies</b> (Max)	999
<b>Resolution</b> (dpi)	
Scan	600 x 600, 600 x 400, 600 x 300
Print	600 x 600, 9,600 (equivalent) x 600, 1,200 x 1,200
<b>Gradation levels</b>	256
<b>Zoom range</b> (%)	25 – 400, (25 to 200 using DSPF) in 1% increments
<b>Preset copy ratios</b>	10 (5R/5E)

## Network Printer

<b>Resolution</b> (dpi)	600 x 600, 9,600*6 (equivalent) x 600, 1,200 x 1,200
<b>Interface</b>	USB 1.1, USB 2.0, 10Base-T/100Base-TX/1000Base-T
<b>Supported OS</b>	Std Windows Server® 2003, 2008, 2012, Windows® XP, Windows Vista®, Windows® 7, 8, Mac OS X 10.4, 10.5, 10.6, 10.7, 10.8, 10.9
<b>Network protocols</b>	TCP/IP (IPv4, IPv6), IPX/SPX (NetWare), EtherTalk (AppleTalk)
<b>Printing protocols</b>	LPR, Raw TCP (port 9100), POP3 (e-mail printing), HTTP, Novell Printserver application with NDS and Bindery, FTP for downloading print files, EtherTalk printing, IPP
<b>PDL</b>	Std PCL6 emulation, Adobe® PostScript® 3™ Opt*7 XPS
<b>Available fonts</b>	80 fonts for PCL, 139 fonts for Adobe® PostScript® 3™
<b>Printer utilities</b>	Sharpdesk Mobile

## Wireless LAN

<b>Compliant regulation</b>	IEEE802.11n/g/b
<b>Access mode</b>	Infrastructure mode, Software AP mode (peer to peer)
<b>Security</b>	WEP, WPA Personal, WPA Enterprise*8, WPA2 Personal, WPA2 Enterprise*8

## Notes

\*1 Depending on usage conditions and type of paper, printing may not be executed correctly. \*2 At rated voltage. May vary depending on operating conditions and environment. \*3 HDD capacity depends on procurement and sourcing status. \*4 Optional memory sourced locally. \*5 Best achieved time based on A4 copy, long-edge feeding from 1st paper drawer, using document glass, when machine is ready. May vary depending on machine conditions and operating environment. \*6 Resolutions higher than 600 dpi are interpolated. \*7 XPS requires optional MX-PLUX1 and 1GB memory. To view XPS files on PCs not running Windows Vista, you must have the XPS Viewer application installed. \*8 Not applicable to Software AP mode. \*9 Requires optional MX-EB11. \*10 Colour only. \*11 To view XPS files on PCs not running Windows Vista, you must have the XPS Viewer application installed. \*12 Storage capacity will vary depending on the type of document and the scan settings. \*13 Optional MX-FX11 required. \*14 Based on Sharp's standard chart with approx. 700 characters (A4 portrait) at standard resolution in Super G3 mode, 33,600 bps, JBIG compression.

Design and specifications are subject to change without prior notice. All information was correct at time of print. The ENERGY STAR logo is a certification mark and may only be used to certify specific products that have been determined to meet the ENERGY STAR programme requirements. ENERGY STAR is a US registered mark. The ENERGY STAR guidelines apply to products only in the US, Europe, Australia, New Zealand and Japan. Windows, Windows NT, Windows XP and Windows Vista are registered trademarks of Microsoft Corporation. All other company names, product names and logos are trademarks or registered trademarks of their respective owners. ©Sharp Corporation December 2013 Ref: MX-M565N/MX-M465N/MX-M365N Brochure Job No. 14822. All trademarks acknowledged. E&OE.

## Colour Network Scanner

<b>Scan method</b>	Push scan (via control panel) Pull scan (TWAIN-compliant application)
<b>Resolution</b> (dpi)	
Push scan	100, 150, 200, 300, 400, 600
Pull scan	75, 100, 150, 200, 300, 400, 600, 50 to 9,600 dpi via user setting
<b>File formats</b>	TIFF, PDF, PDF/A, encrypted PDF, compact PDF*9*10, JPEG*10, XPS*11
<b>Scan destinations</b>	Scan to e-mail, desktop, FTP server, network folder (SMB), USB memory
<b>Scanner utilities</b>	Sharpdesk, Sharpdesk Mobile

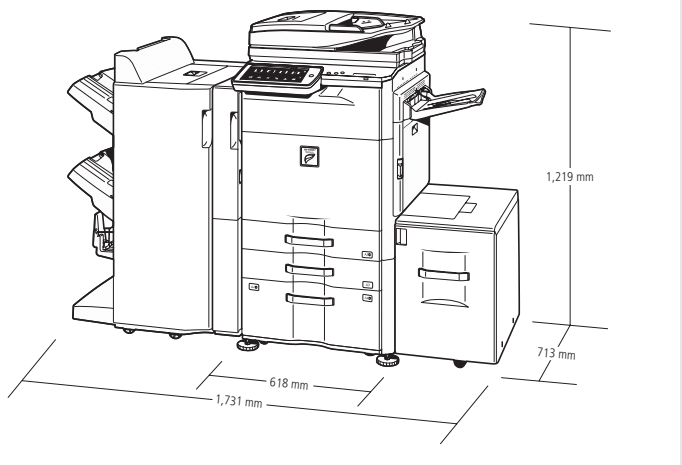
## Document Filing

<b>Document filing capacity</b> *12	
Main and custom folders:	20,000 pages or 3,000 files
Quick file folder:	10,000 pages or 1,000 files
<b>Stored jobs</b>	Copy, print, scan, fax transmission*13
<b>Storage folders</b>	Quick file folder, main folder, custom folder (max. 1,000 folders)
<b>Confidential storage</b>	Password protection

## Fax (optional MX-FX11 required)

<b>Compression method</b>	MH/MR/MMR/JBIG
<b>Communication protocol</b>	Super G3/G3
<b>Transmission time</b> *14 (seconds)	Less than 3
<b>Modem speed</b> (bps)	33,600 - 2,400 with automatic fallback
<b>Transmission resolution</b> (dpi)	
Std	203.2 x 97.8
Ultra Fine	406.4 x 391
<b>Recording width</b>	A5 - A3
<b>Memory</b> (GB)	1
<b>Grey scale levels</b>	256

## External Dimensions



# This is Why

[www.sharp.co.uk](http://www.sharp.co.uk)

# SHARP

SHARP ELECTRONICS (UK) LTD  
4 FURZEGROUND WAY  
STOCKLEY PARK  
UXBRIDGE  
MIDDLESEX UB11 1EZ  
TEL: 0800 138 5051  
ROI: (+353) (0)20 8734 2000

